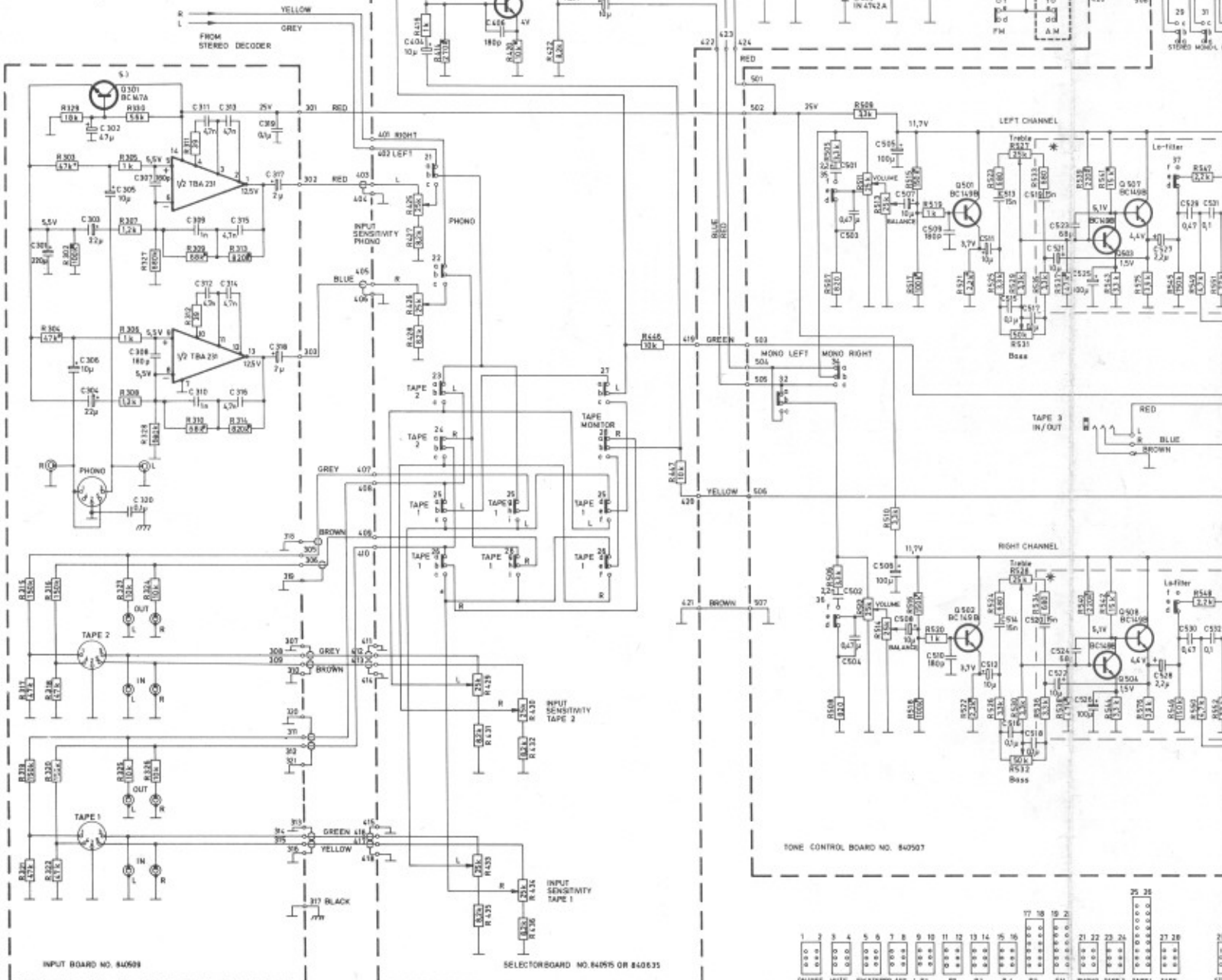
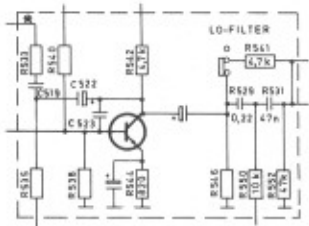


RESISTANCE VALUES ARE OHMS, K=1000, M=1000000. RESISTORS ARE 05WATT OR LESS UNLESS OTHERWISE SPECIFIED. ALL SWITCHES ARE DRAWN IN UNOPERATED POSITION. ALL RESISTORS MARKED WITH A DOT ARE LOW NOISE TYPES. 1) INTRODUCED TO REDUCE SHORT CIRCUIT CURRENT. 2) Q301, R319, R330, C302 ARE OMITTED ON SOME RECEIVERS AND REPLACED BY RESISTOR R301 15K. R302 IS THEN CHANGED TO 32K AND R327-328 TO 330K. SUBJECT TO CHANGES WITHOUT FURTHER NOTICE.



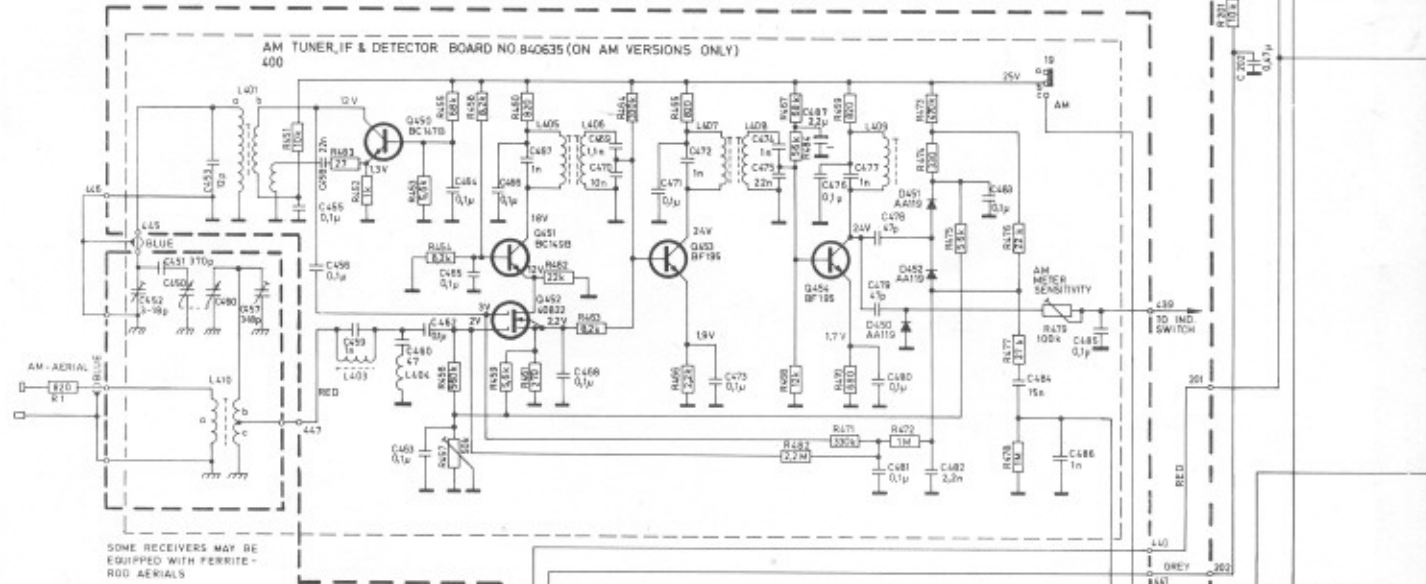
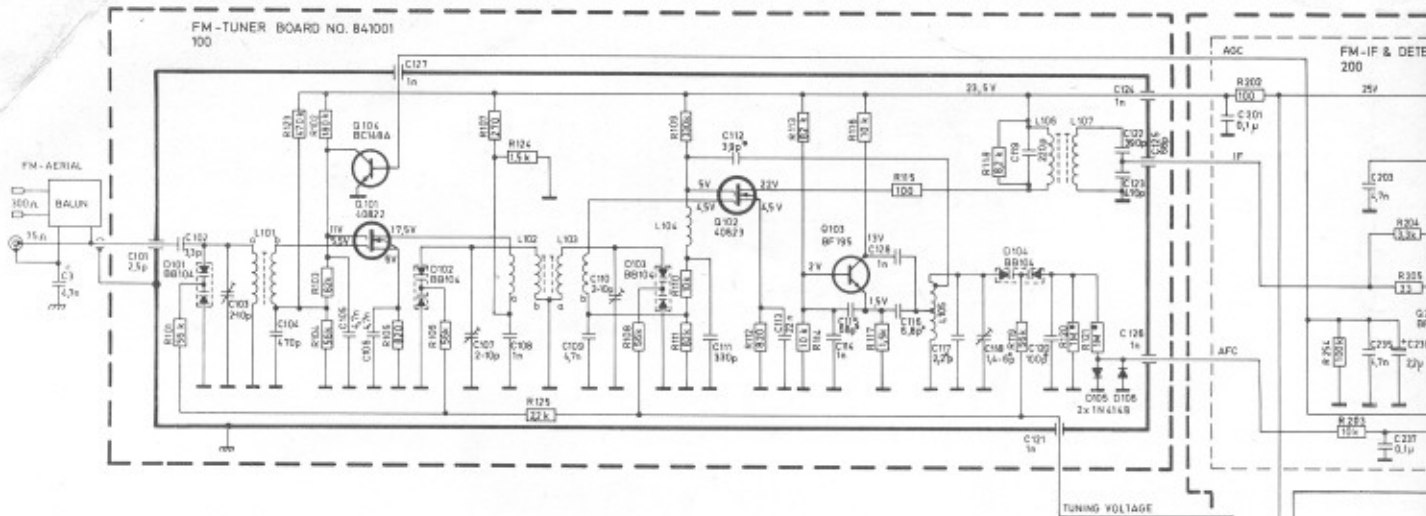
TRANSISTORS SEEN FROM UNDERNEATH

TANDBERG

FM STEREO RECEIVER TR-1000

FM/AM STEREO RECEIVER TR-1010

AUDIO SECTION

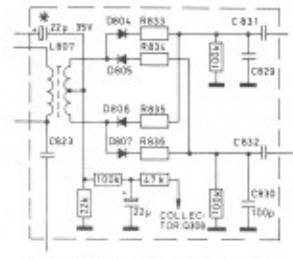
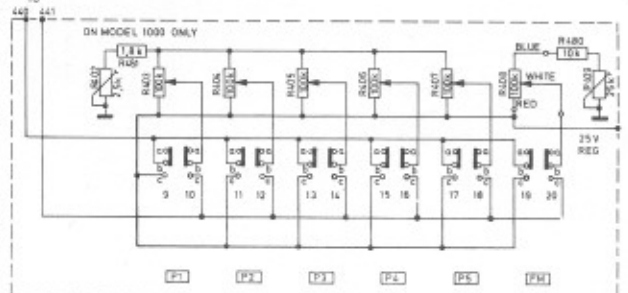
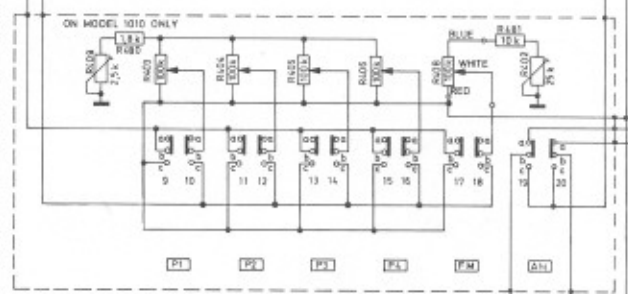


SOME RECEIVERS MAY BE EQUIPPED WITH FERRITE-ROD AERIALS

RESISTANCE VALUES ARE OHMS K=1000 M=1000000. RESISTORS ARE 0.5WATT OR LESS UNLESS OTHERWISE SPECIFIED. ALL SWITCHES ARE DRAWN IN UNOPERATED POSITION. ALL RESISTORS MARKED WITH A DOT ARE LOW NOISE TYPES. CAPACITORS MARKED WITH A DOT HAVE A SPECIFIED TEMPERATURE COEFFICIENT:
 C 112 150PF N 750
 C 115 56PF N 750
 C 116 56PF N 750
 C 117 2.2UF N 750
 C 118 14-40PF N 100
 C 125 100PF N 750 (N1500 USED IN SOME CASES)

1) THE VALUE OF C231 IS SELECTED FOR MINIMUM DISTORTION
 2) RESISTORS R208, R244, R245, R246, R217, R221, R222, R223, R225, R230 MAY BE ALTERED OR OMITTED IN SETS DELIVERED TO MARKETS WHERE HIGHER SELECTIVITY IS WANTED.

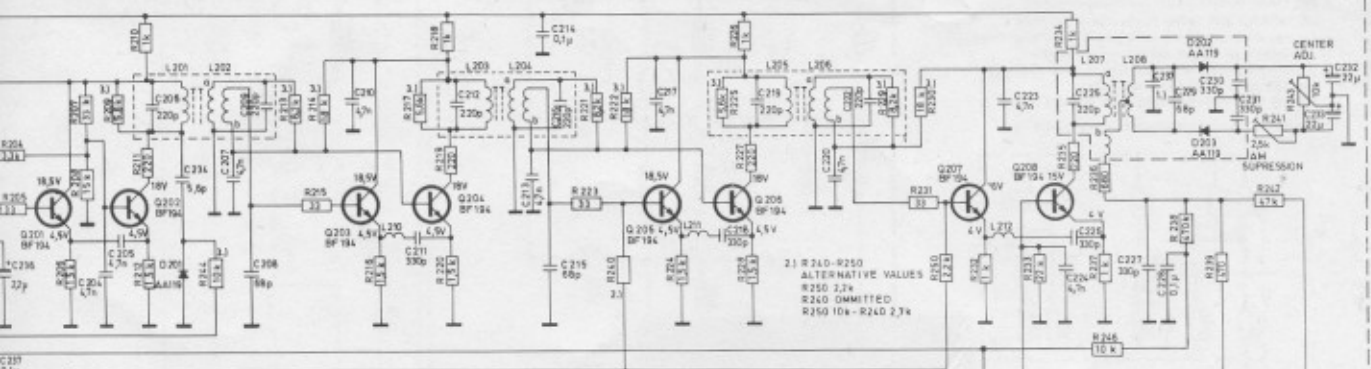
SUBJECT TO CHANGES WITHOUT FURTHER NOTICE



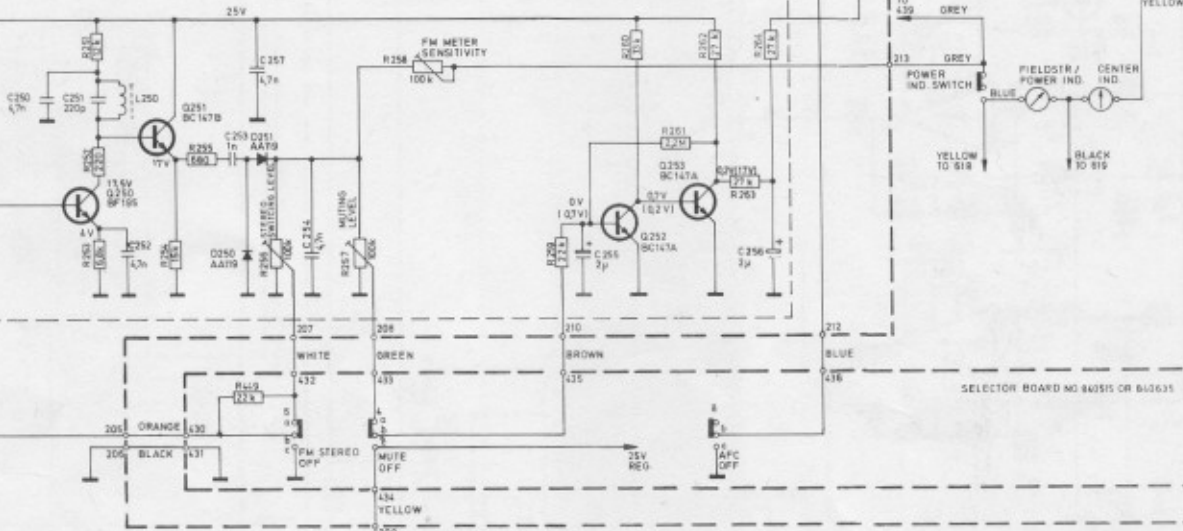
ALTERNATIVE WIRING OF SWITCHING CIRCUIT

401 402 ON MODEL 1000

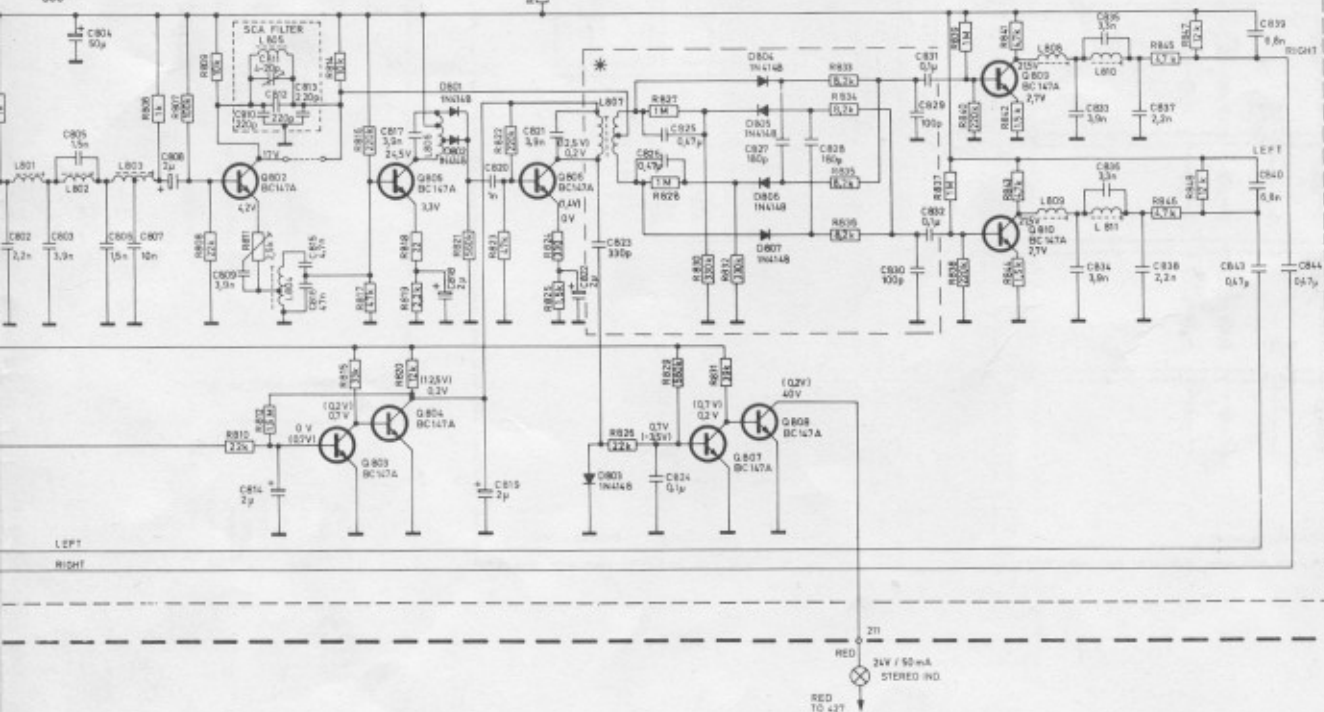
DETECTOR



CODAN - CIRCUITS
200



STEREO DECODER
800



TANDBERG
FM STEREO RECEIVER TR-1000
FM/AM STEREO RECEIVER TR-1010
TUNER SECTION